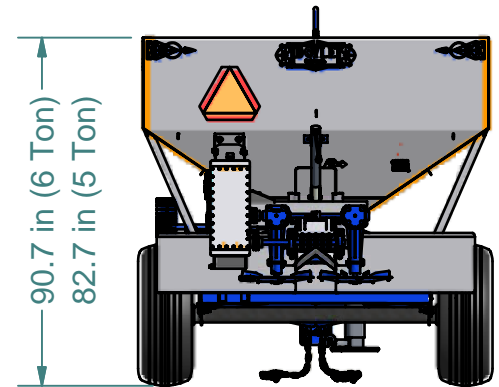
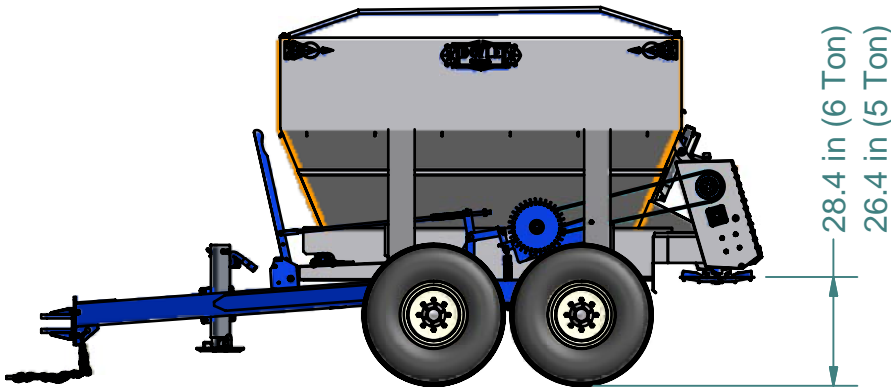


Doyle Equipment Mfg. Co., Inc.
 P.O. Box 3024 - 4001 Broadway St.
 Quincy, IL. USA 62305
 217-222-1592 - Fax 217-223-3655
 Toll Free 800-788-8085
 Email: doyle@doylemfg.com



Tandem Henschen 7000 lb. Axles -w/ 6 Bolt Hub (5 Ton)
 Tandem Henschen 8000 lb. Axles -w/ 8 Bolt Hub (6 Ton)

14 Ga. #304 Stainless Steel
 Hopper Construction

All Stainless Steel
 Gearbox and Spinner Mount

12.5 L x 15 Highway Implement Rib Tires (5 Ton)
 14 L x 16.1 Highway Implement Rib Tires (6 Ton)

Mild Steel Frames
are Shot Blasted
and Powder
Coated Blue, for an
Unmatched
Corrosion
Resistance

Bolt on Hopper

2" x 6" Tubing Frame

Heavy Duty 8,000 lb. Tongue Jack (5 Ton)
 Heavy Duty 12,000 lb. Tongue Jack (6 Ton)

Twin Dished Spinners, 19-1/4" Dia.
 w/ 4 Stainless Steel Adjustable Blades on
 each

Heavy Duty Adjustable Hitch

