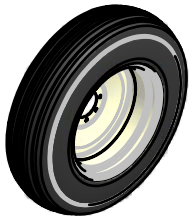
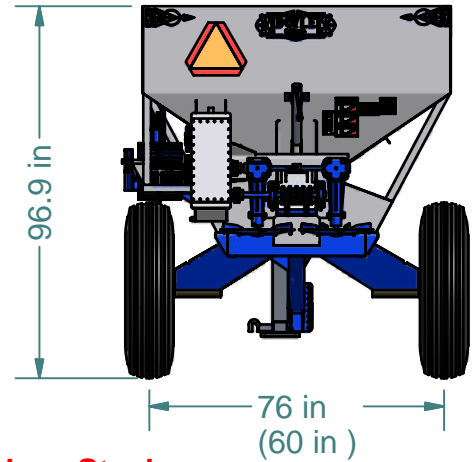
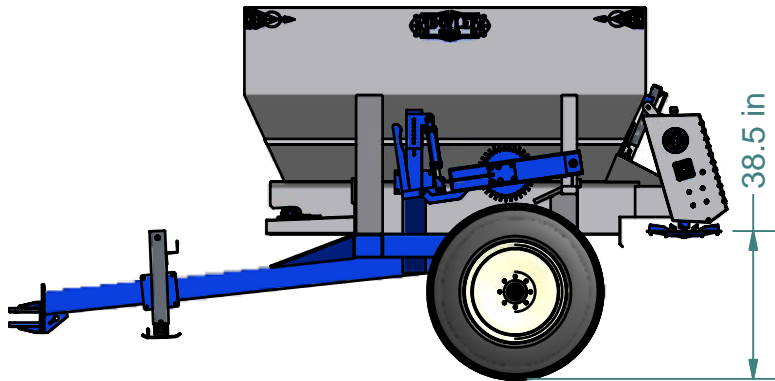


Doyle Equipment Mfg. Co., Inc.
 P.O. Box 3024 - 4001 Broadway St.
 Quincy, IL. USA 62305
 217-222-1592 - Fax 217-223-3655
 Toll Free 800-788-8085
 Email: doyle@doylemfg.com



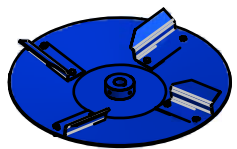
11.25 x 24 SL - 8 Ply Tires



All Stainless Steel
 Gearbox & Spinner Mount

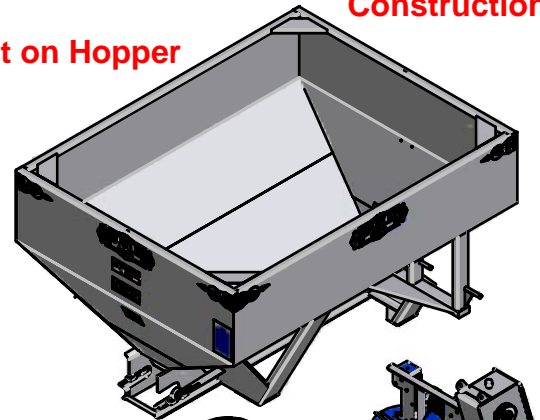
14 Ga. #304
 Stainless Steel
 Hopper
 Construction

Bolt on Hopper

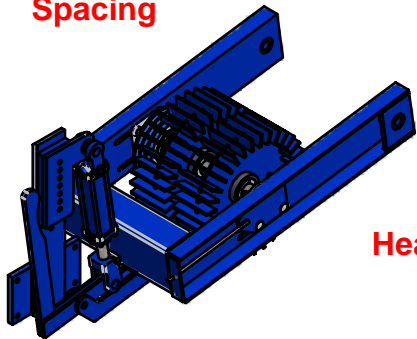


Twin Dished Spinners, 19-1/4" Dia.
 w/ 4 Stainless Steel Adjustable Blades
 on each

Mild Steel Frame is
Shot Blasted &
Powder Coated
Blue, for an
Unmatched
Corrosion
Resistance



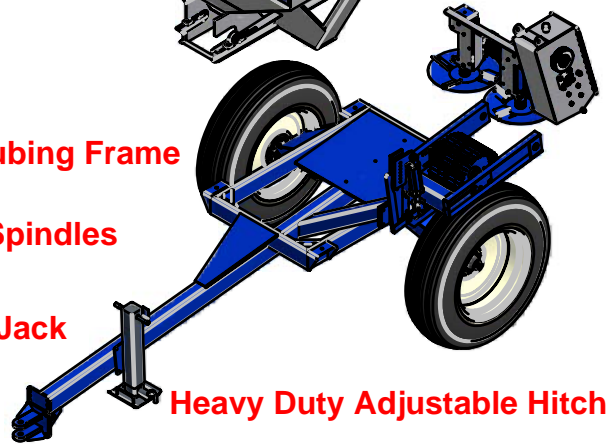
Double Power Wheel,
 Allows 30" or 38" Wheel
 Spacing



Steel Tubing Frame

8000 lb. Spindles

Heavy Duty 12,000 lb. Tongue Jack



Heavy Duty Adjustable Hitch